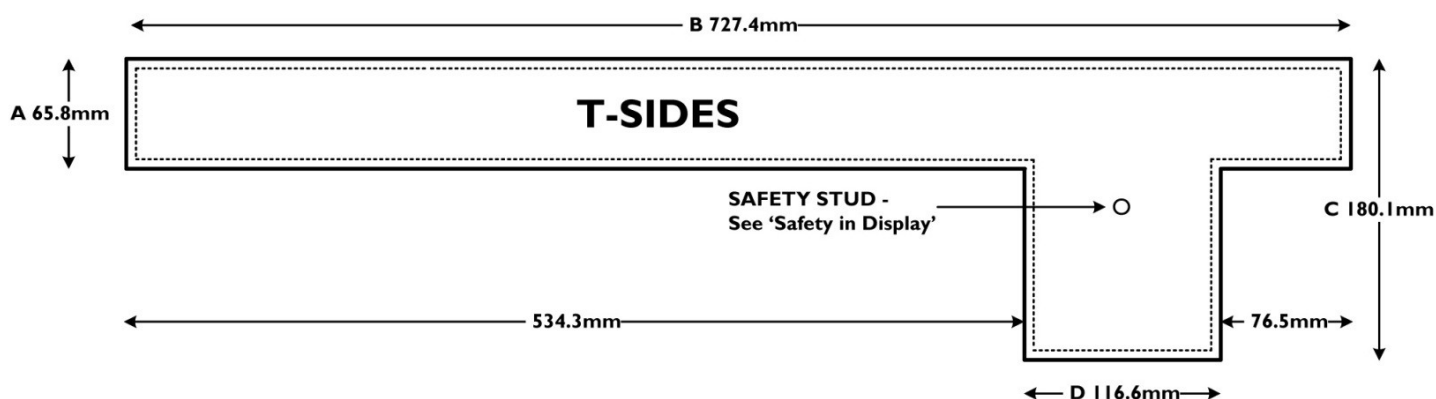


T-Side (Forward Stem) Art Specification



OVERALL SIZE
 A 65.8mm, B 727.4mm, C 180.1mm, D 116.6mm

----- **DISPLAY AREA**
 A 60.6mm, B 722.2mm, C 174.9mm, D 111.4mm

SIZING

Artworks must be created to the size shown in the line drawing above.

DISPLAY AREA

For all site types that are fixed into frames, the specification will give the Overall Size and the Display Area. Please keep all important text and images within the Display Area but feel free to bleed the background colours/images up to the Overall Size. Please be aware that if an artwork has text that has been created to the Display Area it will butt-up to the frame. If this is not the desired effect then please move the text even further inside the Display Area.

SAFETY IN DISPLAY

Please be aware that the stem panel in T-Sides can, in certain conditions, bow out of shape. To overcome this challenge, we are using a clear, plastic, Safety Stud to ensure that the panel is secure at all times. You do not need to include the Safety Stud within your artwork – we are simply highlighting it's presence on the finished poster.

As a positional reference only, the artwork is created to one-tenth of the final size, therefore at this size, the Safety Stud will measure 6mm in diameter and be positioned in the exact centre of the stem panel (180.1mm deep x 116.6mm wide).

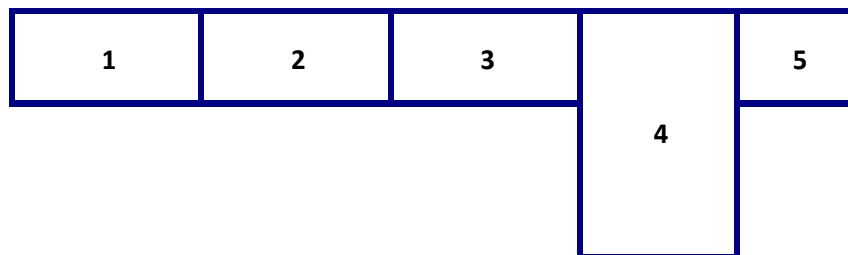
ACCEPTABLE SOFTWARE

Acceptable artwork is created with the following Apple Macintosh software packages: Adobe Illustrator, Adobe Photoshop, Quark Xpress, In-Design and Freehand. PC versions of these packages are acceptable.

ARTWORK REQUIREMENTS

Please convert all RGB files to CMYK. All images must be scanned at hi-resolution, no less than 300dpi. All screen and printer fonts must be supplied, if this is not possible, all text must be created as outlines. For colour linework, all Pantone references must be specified within the digital file. The artwork must be created to the Overall Size shown in the line drawing and include 1mm of 'bleed' all round.

T-Side (Forward Stem) Production Specification



Dimensions

Panels 1, 2 & 3

	Height	Width
Size	658 mm	1781 mm

Panels 1, 2 & 3 have an additional 12mm unprinted overlap on the RIGHT hand edge.

Panel 4

	Height	Width
Size	1801 mm	1166 mm

Panel 5

	Height	Width
Size	658 mm	765 mm

Panel 5 has an additional 12mm unprinted overlap on the LEFT hand edge.

The display area needs to be 7222mm x 606mm & Drop Section 1749mm x 1114mm

MATERIAL SPECIFICATION

Fasson Fascal Superscreen 100 White Self-Adhesive Removable Vinyl

FINISHING

Vinyl should be UV Varnished

POSTER COLLATION AND PACKING

Posters will need to be delivered 'flat & uncollated'.

Flat & uncollated: Please stack posters flat on a pallet. Section 4 should be placed on the pallet first and a tab must be inserted between every 50th vinyl. Section 3 should then be placed on top of section 4 followed by sections 2 and 1. Finish by placing section 5 on top of section 1. Again a tab must be inserted between every 50th vinyl and an additional tab inserted indicating the break between each section. The pallet must be bound securely, ensuring the poster edges are fully protected to avoid damage in transit.

POSTER LAYOUTS

A poster layout must be attached to every package or pallet.

DELIVERY NOTES

Every consignment of posters delivered must have a Delivery Note attached indicating the advertiser, the number of designs, a title for each of the designs and the quantity of each design.